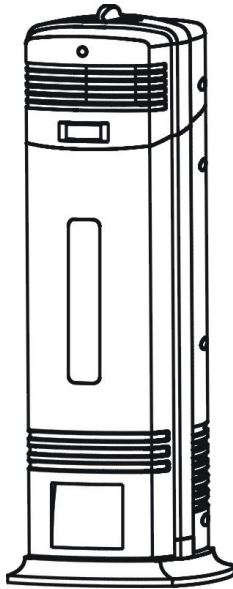


IMPORTANT INSTRUCTIONS OPERATING MANUAL

ELECTROSTATIC AIR PURIFIER

with FILTER and UV LAMP

Model GH-9088A



**READ AND SAVE
THESE IMPORTANT INSTRUCTIONS**

READ AND SAVE THESE IMPORTANT SAFETY INSTRUCTIONS

When using electrical appliances, basic precautions should always be followed to reduce the risk of fire, electric shock and injury to persons, including the following:

1. Read all instructions before using the appliance.
2. To avoid fire or shock hazard, plug the appliance directly into a **120VAC** electrical outlet.
3. Keep the cord out of heavy traffic areas. To avoid fire hazard, NEVER put the cord under rugs, near heat registers, radiator, stoves, or heaters.
4. To protect against electrical hazards, DO NOT immerse in water or other liquids. Do not use near water.
5. Close supervision is necessary when any appliance is used by or near children, or by disabled people.
6. Always unplug the air purifier before moving it, opening the grill, changing filters, cleaning, or whenever the air purifier is not in use. Be sure to pull by the plug and not the cord.
7. NEVER drop or insert any object into any openings.
8. DO NOT operate any appliance with a damaged cord or plug, if motor fan fails to rotate, after the appliance malfunctions, or if it has been dropped or damaged in any manner. Return appliance to manufacturer for examination, electrical or mechanical adjustment, or repair.
9. Use appliance only for intended household use as described in this manual. Any other use not recommended by the manufacturer may cause fire, electric shock, or injury to persons.
10. DO NOT use outdoors.
11. NEVER block the air openings, grilles/outlets or place on a soft surface such as a bed or sofa, as this could cause the unit to tip over, blocking the air Intake opening.
12. Keep unit away from heated surfaces and open flames.
13. DO NOT attempt to repair or adjust any electrical or echanical functions on this

- unit. Doing so will void your warranty. The inside of the unit contains no user serviceable parts. All servicing should be performed by qualified personnel only.
14. **WARNING:** To reduce the risk of fire or electric shock, **DO NOT** use this air purifier with any solid-state speed control device.
 15. **DO NOT** place anything on top of unit.
 16. The collection rod has many edges and areas that can trap water. The collection rod should be completely dry before installing it into the unit.

READ AND SAVE THESE IMPORTANT SAFETY INSTRUCTIONS

OZONE SAFETY INSTRUCTIONS

The electrostatic air purifier will produce small amounts of ozone as a by-product. This unit complies with the requirements of UL 867 for acceptable levels of ozone (less than 0.05 parts per million by volume of air circulating through the product). People with a history respiratory problems or lung disease should consult a physician before using this product.

Caution: Keep electrical appliances out of reach from children or infirm persons.

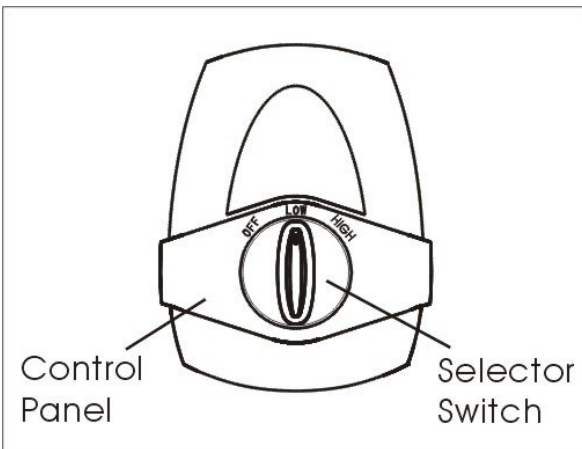
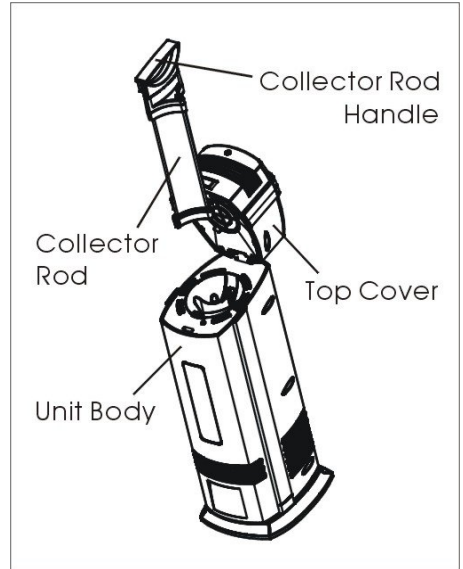
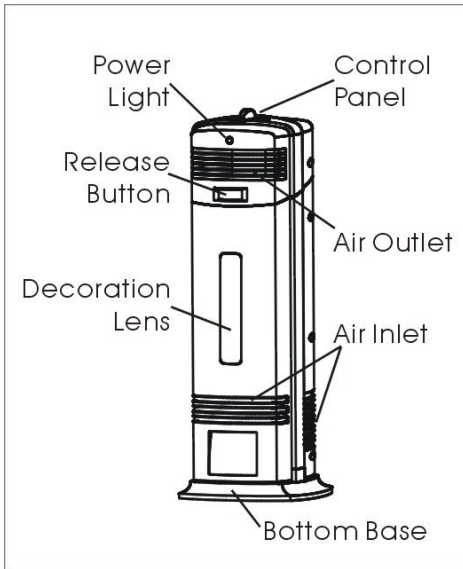
Do not let them use the appliances without supervision.

FEATURES

- ELECTROSTATIC COLLECTING
- OZONE FILTER and ACTIVATED CARBON FILTER
- UV LAMP

PRE-OPERATING INSTRUCTIONS

1. Select a firm level and flat location. For proper air flow, locate the unit at least 3 feet(1 M) from any wall or furniture.
2. Ensure no grilles are blocked.
3. Plug into a 120V AC outlet.
4. Do not lift the unit by the top cover. Always lift it by the handle of the unit.



OPERATING INSTRUCTIONS

1. Ensure the collector rod is firmly seated in place and the top cover is securely latched.
2. Turn the selector switch on the top of unit to LOW or HIGH mode.
3. The power light will illuminate automatically.
4. To switch off, turn the selector switch to OFF position.

REMOVING/INSTALLING THE COLLECTOR ROD

- To remove the collector rod

1. Unplug the unit;
2. Press the control panel release button and flip the top cover backward;
3. Grip the collector rod handle and pull-up firmly.

- To install the collector rod

1. Ensure the unit is unplugged and the collector is completely dry;
2. The collector rod can be inserted into unit only one way.
Align the collector rod with the opening in the unit;
3. Press the collector rod down until it seats firmly in place.
Ensure the top handle of collector rod is flush with the surrounding surface.
4. Flip the cover forward and securely latch in place.

CLEANING THE COLLECTOR ROD

- For common household particles

1. Remove the Collector Rod from unit as described above;
2. Use a soft, damp cloth to wipe the surface of the Collector Rod;
3. Ensure that the collector rod is completely dry;
4. Insert the collector rod back into the unit;
5. Clean the collector rod every 2-3 weeks, sooner if needed.

- For tobacco smoke or particles that are not easily removed

1. Remove the collector rod from unit as described above;
2. Use a scrub sponge coated with a mild soap and water solution and wipe the collector rod from top to bottom;
3. Wipe down the collector rod with a damp cloth and ensure that no soap residue remains on the collector rod and it is completely dry.(Do not place under running water to rinse.)
4. Insert the collector rod back into the unit.
5. Clean the collector rod every week, sooner if needed.

Note: The air purifier may experience some discoloration on the collector rod over time. This is normal and does not affect the performance of the product in any way.

CLEANING AND MAINTENANCE

The air purifier should be cleaned at least once every three weeks. More frequent cleaning may be required depending upon environmental conditions.

1. Turn off and unplug the unit;
2. Press the control panel release button and flip the top cover backward;
3. Remove and clean the collector rod as **CLEANING THE COLLECTOR ROD**;
4. Turn the unit upside-down 2 or 3 times and hold for at least 3 seconds each time.

This allows the cleaning balls inside the unit to scrape any accumulated debris off the electronic wires. **IT IS NORMAL TO HEAR THE VOICE OF THE CLEANING BALLS SCRAPING THE WIRES.**

Note: Do not stick any foreign objects or your fingers inside the unit.

5. Use a clean, dry cloth to wipe the external surface of unit.

DO NOT USE WATER, GASOLINE, POLISH OR ANY CHEMICAL SOLUTION.

TROUBLE SHOOTING TIPS

If the air purifier shuts off unexpectedly, safety features may have been activated to prevent damage or injury. If this happens:

1. Be sure the air purifier is plugged into a working electrical outlet;
2. Check to be sure the collector rod is firmly seated in place;
3. Check to be sure the top cover is latched firmly in place.

NOTE: IF YOU CONTINUE TO EXPERIENCE A PROBLEM, PLEASE RETURN THE AIR PURIFIER TO THE PLACE OF ORIGINAL PURCHASE OR SEE YOUR WARRANTY. DO NOT ATTEMPT TO DISASSEMBLE THE UNIT BY YOURSELF. DOING SO MAY VOID YOUR WARRANTY AND CAUSE DAMAGE TO THE PRODUCT OR PERSONAL INJURY.

FREQUENTLY ASKED QUESTIONS

- Is the air purifier considered an ozone generator?
 - No. Ozone generators produce large amounts of ozone and the EPA considers these unsafe for household use. The air purifier electrostatically removes particles from the air and release only trace amounts of ozone.
- What does the power setting do?
 - The power setting can change the cleaning power voltage of the electrostatic wires

inside the unit. Use Low or High setting according to the need for the air quality in which the unit is placed.

- The air purifier was making a “cracking” sound and now it doesn’t seem to be cleaning the air any more. Is it broken?

- No. The air purifier needs to be cleaned. When too much dirt accumulates on both the collector and electrostatic wire, the power to the collector rod turns-off, but the fan will continue to run. Clean the unit and it should then operate normally. See **CLEANING THE COLLECTOR ROD** and **CLEANING AND MAINTENANCE**.

ELECTRICAL SPECIFICATIONS

~120V, 60Hz, 15watts

WARRANTY

Please read all instructions before attempting to use this product.

A. This 1 year limited warranty applies to repair or replacement of product found to be defective in material or workmanship. This warranty does not apply to damage resulting from commercial, abusive, unreasonable use or supplemental damage. Defects that are the result of normal wear and tear will not be considered manufacturing defects under this warranty.

We ARE NOT LIABLE FOR INCIDENTAL OR CONSEQUENTIAL DAMAGES OF ANY NATURE. ANY IMPLIED WARRANTY OF MERCHANTABILITY OR FITNESS FOR A PARTICULAR PURPOSE ON THIS PRODUCT IS LIMITED TO THE DURATION OF THIS WARRANTY.

Some jurisdictions do not allow the exclusion or limitation of incidental or consequential damages or limitations on how long an implied warranty lasts, so the above limitation or exclusions may apply to you.

This warranty gives you specific legal rights, and you also may have other rights which vary from jurisdiction to jurisdiction. This warranty applies only to original purchaser of this product from the original date of purchase.

B. At its option, we will repair or replace this product if it is found to be defective in material or workmanship. Defective product should be returned to the place of purchase in accordance with the store policy. Thereafter, while within the warranty period defective product may be returned to us.

- C. 1. This warranty does not cover damages resulting from any unauthorized attempts to repair or from any use not in accordance with the instruction manual.
2. If you have any questions or comments regarding this unit, please write to our Customer Service Department.
3. If a product does not operate as warranted during the applicable warranty period, please send to the dealer.
4. All shipping charges must be prepaid by you.
5. **IMPORTANT RETURN INSTRUCTIONS:** Your warranty depends on your following these instructions if you are returning the unit.
- A) Carefully pack the item in its original carton or other suitable box to avoid damage in shipping.
- B) Before packing your unit for return, be sure to enclose:
- a) Your name, full address with zip/postal code and telephone number;
 - b) A dated sales receipt or **PROOF OF PURCHASE**;
 - c) Your \$15.00 (USD) check for return shipping and handling;
 - d) The model number of the unit and the problem you are having. - Enclose in an envelope and tape directly to the unit before the box is sealed;
 - e) You must ship the package insured.
6. This warranty does not cover the product if it is damaged by accident and/or improper use.
7. This Warranty applies **ONLY** to repair or replacement of any supplied or manufactured parts of this product that, upon inspection by the agent, authorized personnel, is shown to have failed in normal use due to defects in material or workmanship.
8. Operating this unit under conditions other than those recommended or at voltages other than the voltage indicated on the unit, or attempting to service or modify the unit, will render this **WARRANTY VOID**.